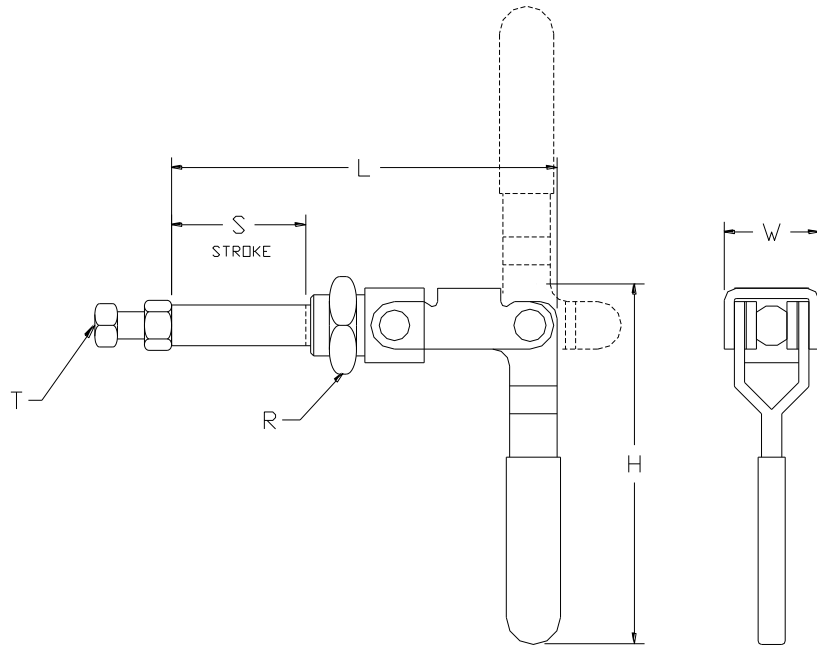


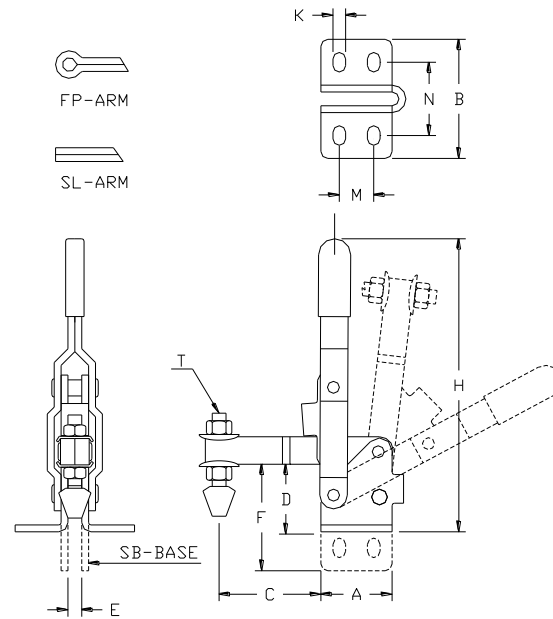
# NPL



## MOUNTING DETAILS NPL

MODEL	H	L	R	S	T	W	HOLDING FORCE
NPL-06	78	62	16	19	M6	26	150
<b>NPL-08</b>	<b>112</b>	<b>118</b>	<b>20</b>	<b>40</b>	<b>M8</b>	<b>32</b>	<b>250</b>

# HLDV



## MOUNTING DETAILS FOR NIKHIL CLAMPS

MODEL	A	B	C	D	E	F	H	M	N	K	T	HOLDING FORCET
HLDV-06	31	51	40	45	6	35	100	15	31	5.5	M6	100 KG
<b>HLDV-08</b>	<b>37</b>	<b>62</b>	<b>70</b>	<b>35</b>	<b>6</b>	<b>48</b>	<b>180</b>	<b>20</b>	<b>40</b>	<b>6.5</b>	<b>M8</b>	<b>200 KG</b>
HLDV-10	45	69	50	48	6.4	63	225	23	49	6.5	M10	250 KG
HLDV-10L	45	69	95	48	6.4	63	225	23	49	6.5	M10	175 KG
HLDV-12	50	78	140	55	8	75	250	29	54	6.5	M12	350 KG